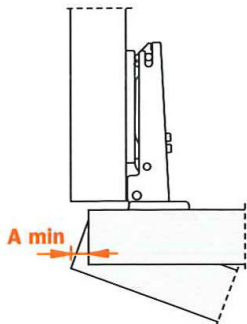


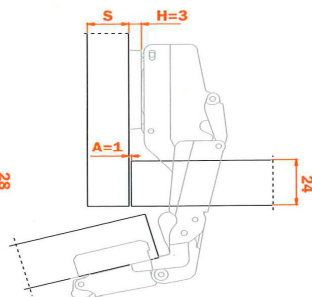
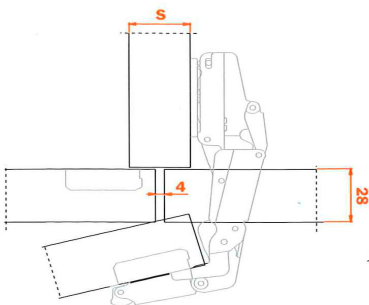
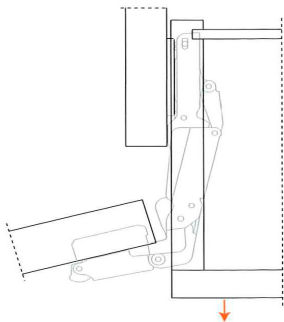
# Series 200 PUSH Cabinet Hinges 165°

C2ASx99

Space needed to open the door



T=		16	18	20	22	24	26	28
K=3	A=	0.0	0.0	0.0	0.7	2.7	4.6	7.9
K=4	A=	0.0	0.0	0.0	0.1	1.8	3.8	6.9
K=5	A=	0.0	0.0	0.0	0.1	1.2	3.0	5.9
K=6	A=	0.0	0.0	0.0	0.1	0.9	2.5	4.9
K=7	A=	0.0	0.0	0.0	0.1	0.7	2.0	3.9
K=8	A=	0.0	0.0	0.0	0.1	0.6	1.7	3.2



**H:** Mount plate heights are calculated using one of the formulae below, based on whether the door is inset, quarter, half or full overlay.

**I:**

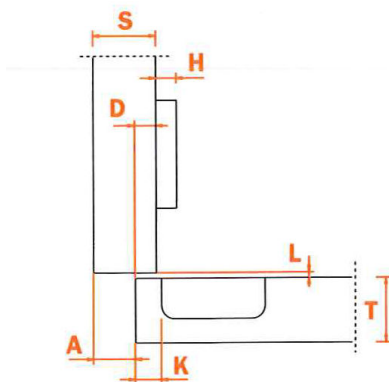
**Inset:**  $H = -2 + K + A$

**Quarter:**  $H = 6 + K - (D)$

**Half:**  $H = 10 + K - (D)$

**Full:**  $H = 15 + K - (D)$

**K:** Drilling distance from door edge from 3mm to 8mm



## Technical Information

11mm deep metal cup, 35mm cup diameter

110° opening

Compatible with all traditional 200 series mounting plates and with all Domi® snap-on mounting plates.