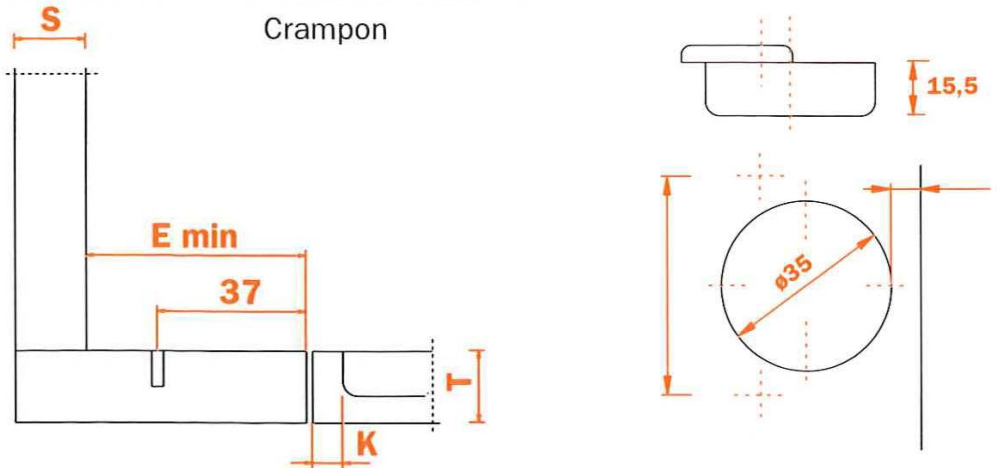


SPRUNG CRAMPON HINGE 94°

C2A7N99AC



E Min:

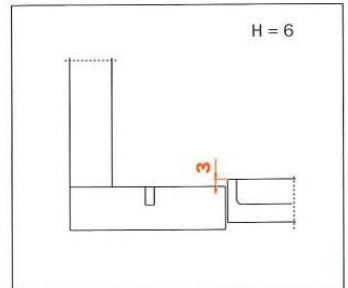
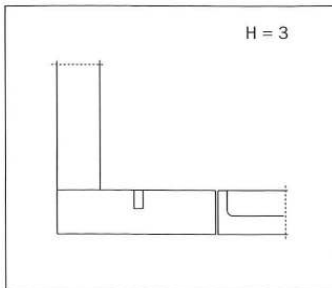
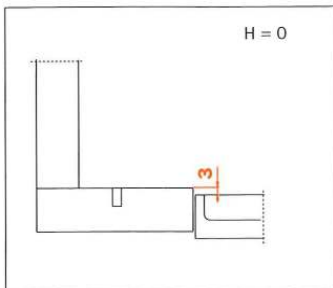
61mm for Series 200 mounting plates
70mm for Domi® snap-on mounting plates
74mm for Domi® snap-on mounting plates with back cam

K: Drilling distance from door edge from 3mm to 8mm

T: Door Thickness

S: Cabinet Thickness

Using the diagrams below, determine the required mount plate height (**H**) based on the inset of the door relative to the cupboard face.



Technical Information

11mm deep metal cup

94° opening

Compatible with all traditional 200 series mounting plates and with all Domi® snap-on mounting plates.