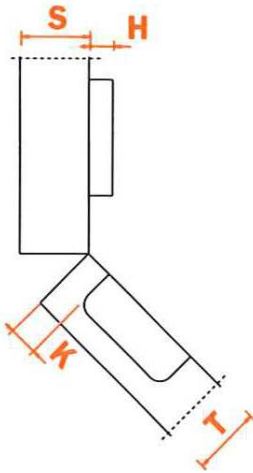
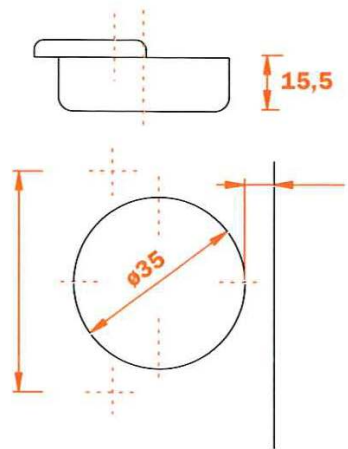


Sprung Hinge 45° Angle 94° Opening

C2A7M99

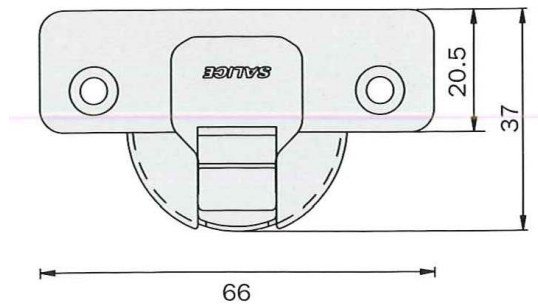


45°



H: The solution of assembly problems where doors are mounted at a positive or negative angle requires the verification of drilling distances by a practical trial.

K: Drilling distance from door edge from 3mm to 8mm
T: Door Thickness 18mm minimum
S: Cabinet Thickness



Technical Information

15.5mm deep metal cup

94° opening

Compatible with all traditional 200 series mounting plates and with all Domi® snap-on mounting plates.